



**Hamco Premium
Auto-Fill Pet Water Fountain
With Installation Kit
Only for Indoor Use**

**AF-200
AF-205**

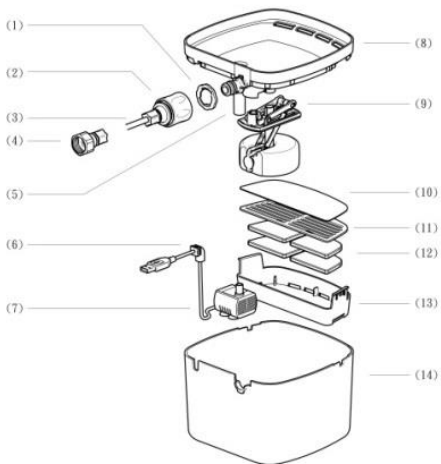
Instruction Manual



Please read this manual before use
<https://www.hamcomfg.com>

Product Introduction

01. Product Diagram



- (1) Lock ring (prevent the Lid be opened by Pets)
- (2) Water-stop quick connector
- (3) NSF LLDPE tube 10 meter length
- (4) 1/2 inch Female threaded Faucet connector
- (5) Pump's water tube
- (6) USB cable holder
- (7) Water Pump with 2 meter USB cable
- (8) Fountain Lid
- (9) Automatic water filler
- (10) High-density filter cotton
- (11) Filter Shelf
- (12) Sodium-free Ion Exchange Resin x 2 bags
Natural Coconut Shell Activated Carbon x 2 bags
- (13) Filter Box
- (14) Water Tank

02. Included Accessories

- AF-200 / AF-205
- User Manual
- Water- stop quick Connector x 1
- Filter cartridge x Total 3-pack

Each set Contains:

1. High Density Filter Cotton x 1 pcs
2. Sodium-free Ion Exchange Resin x 2 bags
3. Natural Coconut Shell Activated Carbon x 2 bags

- **Installation Kit x 1set**

(NSF 1/4 Inch LLDPE Tube x 10meter length,
1/2-inch Female threaded connector x1,
Tube Quick Fitting Tees x 1,
Tube clamp set x 5pcs)

Note: 5V1A Adapter is NOT Included.