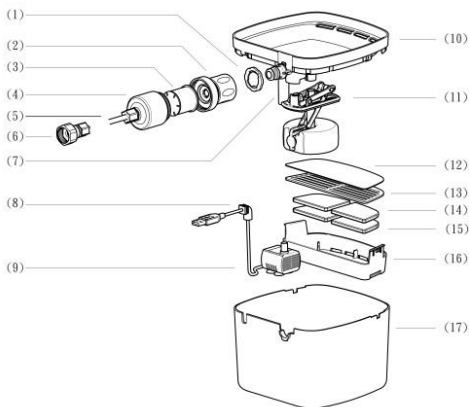


Product Introduction

01. Product Diagram



- (1) Lock ring (prevent the Lid be opened by Pets)
- (2) Super Pure Quick connector with water stop
- (3) 5u pp meltblown filter cartridge
- (4) NSF housing of meltblown filter cartridge
- (5) NSF LLDPE tube 10 meter length
- (6) 1/2 inch Female threaded Faucet connector
- (7) Pump's water tube
- (8) USB cable holder
- (9) Water Pump with 2 meter USB cable
- (10) Fountain Lid
- (11) Automatic water filler
- (12) High-density filter cotton
- (13) Filter Shelf
- (14) Coconut Shell Activated Carbon x 2 bags
- (15) Sodium-free Ion Exchange Resin x 2 bags
- (16) Filter Box
- (17) Water Tank