

Maintenance and Cleaning

Regular cleaning of the AF200 / AF205 and the pump is important to extend its service life. We recommend regular cleaning the pet fountain with water every two weeks and regular replacing of the filter cartridge to prevent dirt from blocking the waterway. Clogged waterways can lead to poor water flow, reduced water quality, noise, and other abnormalities.

How to clean the water fountain steps.

Step 1: Turn off the power and unplug the USB power supply.

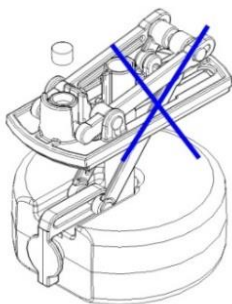
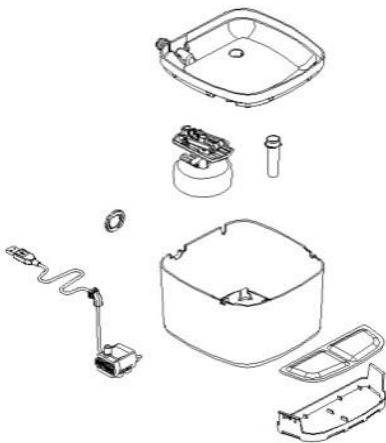
Step 2: Remove the quick connector.

Step 3: Unscrew the lock ring by anti-clockwise and open the lid of fountain top.

Step 4: Remove all parts and rinse with water and clean with a small brush as shown in the picture.

Step 5: After cleaning, please follow the product installation steps to assemble. (**Refer to "Product Installation Steps"** for assembly instructions as shown in the picture.)

How to clean the water fountain steps.



Please note:

X Do not disassemble any part of the automatic water filler device.

X Do not remove the water stop plug of the automatic water filler device.

How to disassemble and clean the Pump

Step 1: Open the pump cover

Step 2: Remove all parts with water wash and clean them with a brush.

Step 3: Assemble the pump after cleaning as follows order as shown

